

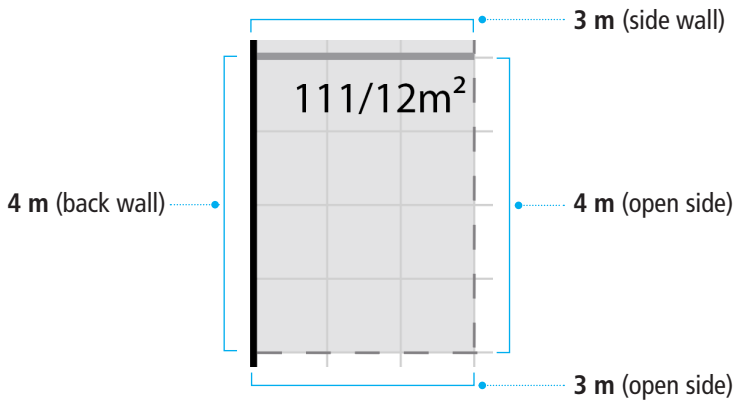


## Example calculation for wall graphic/wood decor & on top logo panel

The stand sizes shown are only sample sizes – please look individually at the stand plan for your stand size.

### 1 CORNER BOOTH – 2 sides open (here: 12 m<sup>2</sup>):

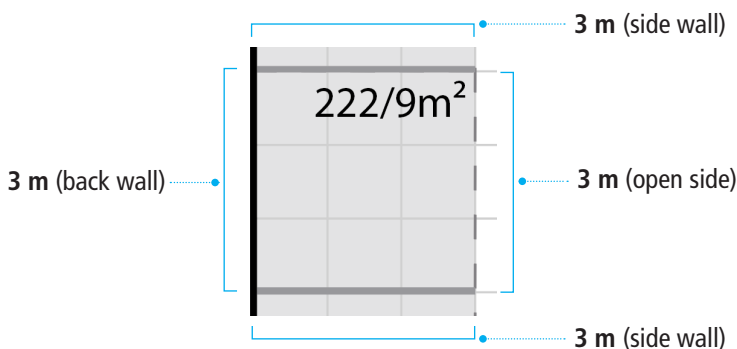
(booth outside the main area on the hall wall)



Running front meter: 4 m + 3 m = 7 m  
Running wall meter: 4 m + 3 m = 7 m

### 2 1 OPEN SIDE BOOTH (here: 9 m<sup>2</sup>)

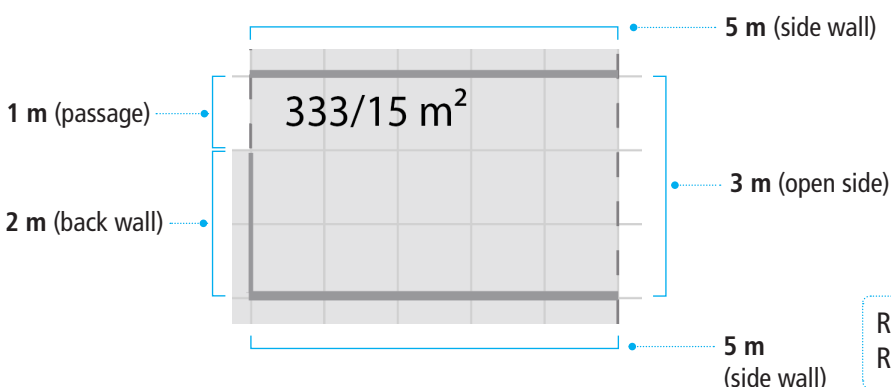
(booth outside the main area on the hall wall)



Running front meter: 3 m  
Running wall meter: 3 m + 3 m + 3 m = 9 m

### 3 1 OPEN SIDE BOOTH (here: 15 m<sup>2</sup>) WITH PASSAGE to the the lounge (1m)

(booth in the main area with 1m entrance to the lounge)



Running front meter: 3 m  
Running wall meter: 5 m + 2 m + 5 m = 12 m